

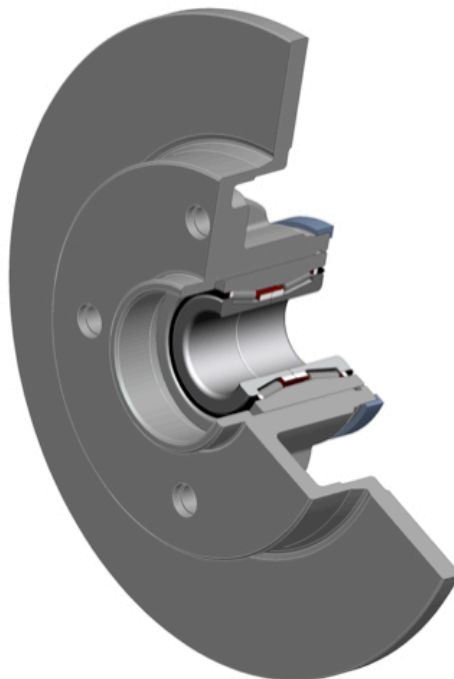
Press Release

## NEW BRAKE DISCS WITH INTEGRATED BEARING: METELLI EXPANDS ITS RANGE OF BRAKE COMPONENTS

**Metelli meets the needs of French manufacturers with a highly technological and innovative product for braking systems.**

*Cologne (Italy), 15<sup>th</sup> January 2014* – **Metelli expands its range of brake components: the brake disc with integrated bearing is especially designed for the rear axle of French vehicles.**

This new product is the result of the **assemblage of a brake disc, a bearing, and a series of accessories, including the ABS ring**. Its distinctive feature is the integrated bearing, composed of a pair of conical rollers inserted in the brake disc's mounting hole, which fixes it to the wheel hub. The components of the new brake disc with integrated bearing can be easily identified in this 3D disc model.



Proper installation of the bearing onto the disc is essential, as the bearing directly affects the functioning of the product.

The brake disc with integrated bearing is **a unique and highly technological product**, which cannot be disassembled or replaced in any of its parts. In case of excessive wear, the entire element must be replaced.



AUTOMOTIVE PASSION



metelligroup

The models of brake discs with integrated bearing designed by Metelli can be installed on the rear axle of the following vehicles: Renault, Clio, Scenic, Modus, Grand Scenic, Laguna, Velsatis, Espace, Citroën C4, Peugeot 207 and 307/308.

METELLI REF.	CIFAM REF.	MAKE	APPLICATION	O.E.	YEAR
23-0584	800-584	Renault	Grand Scenic I (JM) : 1.5 DCi;1.6 16v;1.9 DCi;2.0;2.0 DCi;2.0 T.	77 01 206 328	00-08
23-0692	800-692	Renault	Laguna II, SW 1.6, 1.8, 2.0, 1.9dci, 2.2dci	7701472838 / 7701713008	01-07
23-0722	800-722	Renault	Clio III 2005-, Megane II Modus 1.2, 1.4, 1.6, 1.5dci, 1.9dci	7701207823	02-08 / 04-
23-0804	800-804	Renault	Scenic II 1.4, 1.6, 1.8, 2.0, 1.9DCI	7701207898	03-10
23-0827	800-827	Citroen / Peugeot	C4 / 307 1.4, 1.6, 2.0 , 1.6HDI, 2.0HDI	424629	00-
23-0878	800-878	Peugeot	207 1.6, 1.6HDI	424919 / 424932	05-
23-1089	800-1089	Renault	VELSATIS 2.0, 3.5, 2.2DCI, 3.0DCI	8200018407	02-
23-1394	800-1394	Peugeot	308 1.4, 1.6,1.6HDI, 2.0HDI CON CUSCINETTO	424966/ 424965	07-
23-1396	800-1396	Renault	ESPACE IV / GRAND ESPACE 2.0, 1.9DCI, 2.2DCI	8200649353	02-

Other discs are currently being developed and will soon be available on the market, covering the constantly evolving new vehicle models introduced by the best car manufacturing groups.

This new upgrade further **increases the competitiveness of Metelli Co., a big player in the Aftermarket business with over 50 years of experience, confirming its role as a major reference point for professionals and workers in the automotive field.**

[www.metellispa.it](http://www.metellispa.it)

PRESS OFFICE METELLI  
Soluzione Group Srl - Via F. Lana, 1  
25020 Flero (BS) Italy  
T. +39 (0)30.3539159 - F. +39 (0)30.3582476  
Laura Pedrali - pedrali@soluzionegroup.com